

MLG33

Installation/Operator Manual

WARNING: For your safety the information in this manual must be followed to minimize the risk of fire or explosion and to prevent property damage, personal injury or death.

- Do not store or use gasoline or other flammable vapors and liquids in the vicinity of this or any other appliance.
- **WHAT TO DO IF YOU SMELL GAS:**
 - Do not try to light any appliance.
 - Do not touch any electrical switch; do not use any phone in your building.
 - Clear the room, building or area of all occupants.
 - Immediately call your gas supplier from a neighbor's phone. Follow the gas supplier's instructions.
 - If you cannot reach your gas supplier, call the fire department.
- Installation and service must be performed by a qualified installer, service agency or the gas supplier.

AVERTISSEMENT: Assurez-vous de bien suivre les instructions données dans cette notice pour réduire au minimum le risque d'incendie ou d'explosion ou pour éviter tout dommage matériel, toute blessure ou la mort.

- Ne pas entreposer ni utiliser d'essence ni d'autres vapeurs ou liquides inflammables à proximité de cet appareil ou de tout autre appareil.
- **QUE FAIRE SI VOUS SENTEZ UNE ODEUR DE GAZ:**
 - Ne pas tenter d'allumer d'appareils.
 - Ne touchez à aucun interrupteur. Ne pas vous servir des téléphones se trouvant dans le bâtiment.
 - Évacuez la pièce, le bâtiment ou la zone.
 - Appelez immédiatement votre fournisseur de gaz depuis un voisin. Suivez les instructions du fournisseur.
 - Si vous ne pouvez rejoindre le fournisseur de gaz, appelez le service des incendies.
- L'installation et l'entretien doivent être assurés par un installateur ou un service d'entretien qualifié ou par le fournisseur de gaz.



**RETAIN THESE
INSTRUCTIONS IN A
SAFE PLACE FOR
FUTURE REFERENCE**

Retain This Manual in a Safe Place for Future Reference

This product embodies advanced concepts in engineering, design, and safety. If this product is properly maintained, it will provide many years of safe, efficient, and trouble free operation.

Only qualified technicians should service this equipment.

OBSERVE ALL SAFETY PRECAUTIONS displayed on the equipment or specified in the installation manual included with the dryer.

The following **“FOR YOUR SAFETY”** caution must be posted near the dryer in a prominent location.

FOR YOUR SAFETY

Do not store or use gasoline or other flammable vapors and liquids in the vicinity of this or any other appliance.

POUR VOTRE SÉCURITÉ

Ne pas entreposer ni utiliser d'essence ni d'autres vapeurs ou liquides inflammables à proximité de cet appareil ou de tout autre appareil.

We have tried to make this manual as complete as possible and hope you will find it useful. The manufacturer reserves the right to make changes from time to time, without notice or obligation, in prices, specifications, colors, and material, and to change or discontinue models. The illustrations included in this manual may not depict your particular dryer exactly.

IMPORTANT

For your convenience, log the following information:

DATE OF PURCHASE _____ MODEL NO. **MLG33**

DISTRIBUTOR'S NAME _____

SERIAL NUMBER(S) _____

For replacement parts, contact the distributor from which the dryer was purchased or contact:

Maytag Co.
Benton Harbor, MI
1-800-662-3587

“IMPORTANT NOTE TO PURCHASER”

Information must be obtained from your local gas supplier on the instructions to be followed if the user smells gas. These instructions must be posted in a prominent location near the dryer.

State of California Proposition 65 Warnings:

WARNING: This product contains a chemical known to the State of California to cause cancer.

WARNING: This product contains a chemical known to the State of California to cause birth defects or other reproductive harm.

IMPORTANT

You must disconnect and lockout the electric supply and the gas supply before any covers or guards are removed from the machine to allow access for cleaning, adjusting, installation, or testing of any equipment per OSHA standards.

Please observe all safety precautions displayed on the equipment and/or specified in the installation manual included with the dryer.

Before installation, check that the local distribution conditions, nature of gas and pressure, and adjustment of the appliances are compatible.

CAUTION

Dryer(s) should never be left unattended while in operation.

“Caution: Label all wires prior to disconnection when servicing controls. Wiring errors can cause improper operation.”

«Attention: Au moment de l'entretien des commandes, étiquetez tous les fils avant de les débrancher. Des erreurs de câblage peuvent entraîner un fonctionnement inadéquat et dangereux.»

WARNING

Children should not be allowed to play on or near the dryer(s). Children should be supervised if near dryer(s) in operation.

Under no circumstances should the dryer door switch(es), lint door/drawer switch(es), or heat safety circuit(s) ever be disabled.

The dryer must never be operated with any of the back guards, outer tops, or service panels removed. Personal injury or fire could result.

The dryer must never be operated without the lint filter/screen in place, even if an external lint collection system is used.

FOR YOUR SAFETY

Do not dry mop heads in the dryer. Do not use dryer in the presence of dry cleaning fumes.

The dryers must not be installed or stored in an area where it will be exposed to water and/or weather.

The wiring diagram for the dryer is located behind the control panel.

Table of Contents

Safety Precautions 4

Specifications 6

Installation Procedures 8

Location Requirements 8

Unpacking/Setting Up 8

Dryer Enclosure Requirements 8

Fresh Air Supply Requirements 9

Exhaust Requirements 9

Electrical Information 11

Gas Information 12

Converting from One Family of Gas to Another 15

Gas Pressure Testing 17

Preparation for Operation/Start-Up 17

Preoperational Test 18

Preoperational Instructions 18

Shutdown Instructions 18

Service/Parts Information 18

Service 18

Parts 18

Warranty Information 19

Warranty 19

Routine Maintenance 19

Cleaning 19

Adjustments 19

Data Label Information 20

List of Acronyms

HVAC Heating, Ventilating, and Air-Conditioning

in wc Inches of Water Column

L.C.D. Liquid Crystal Display

L.P. Liquid Propane

OSHA Occupational Safety and Health Administration

UL Underwriters Laboratory

Safety Precautions



Warning

For your safety, the information in this manual must be followed to minimize the risk of fire or explosion and to prevent property damage, personal injury, or loss of life.

The dryer must never be operated with any of the back guards, outer tops, or service panels removed. Personal injury or fire could result.

Failure to properly install, maintain, and/or operate dryer according to this manual and operator's manuals included with dryer may result in conditions which can cause serious injury, death and/or property damage.

Do not store or use gasoline or other flammable vapors and liquids in the vicinity of this or any other appliance.

Purchaser and user should consult the local gas supplier for proper instructions to be followed in the event the user smells gas. The instructions should be posted in a prominent location.

What To Do If You Smell Gas:

- Do not try to light any appliance.
- Do not touch any electrical switch.
- Do not use any phone in your building.
- Clear the room, building, or area of all occupants.
- Immediately call your gas supplier from a neighbor's phone. Follow the gas supplier's instructions.
- If you cannot reach your gas supplier, call the fire department.

Installation and service must be performed by a qualified installer, service agency, or gas supplier.

Dryers must be exhausted to the outdoors.

Although the manufacturer produces a very versatile dryer, there are some articles that, due to fabric composition or cleaning method, should not be dried in it.



Warning

Dry only water washed fabrics. Do not dry articles spotted or washed in dry cleaning solvents, combustible detergents, or "all purpose" cleaner. Explosion could result.

Do not dry rags or articles coated or contaminated with gasoline, kerosene, oil, paint, or wax. Explosion could result.

Items that have been spotted or soaked with vegetable or cooking oil constitute a fire hazard and should not be placed in a tumble dryer.

Do not dry mop heads. Contamination by wax or flammable solvents will create a fire hazard.

Do not use heat for drying articles that contain plastic, foam, sponge rubber, or similarly textured rubber materials. Drying in a heated tumbler may damage plastics or rubber and also may be a fire hazard.

A program should be established for the inspection and cleaning of lint in the burner area, exhaust ductwork, and area around the back of the dryer. The frequency of inspection and cleaning can best be determined from experience at each location.



Warning

The collection of lint in the burner area and exhaust ductwork can create a potential fire hazard.

For personal safety, the dryer must be electrically grounded in accordance with local codes and/or the National Electrical Code ANSI/NFPA NO. 70-LATEST EDITION or in Canada, the Canadian Electrical Codes Parts 1 & 2 CSA C22.1-1990 or LATEST EDITION.



Note

Failure to electrically ground the dryer properly will void the warranty.



Warning

Personal injury or fire could result should the dryer door switch, lint door/drawer, or heat safety circuit ever be disabled.

Remove articles from the dryer as soon as the drying cycle has been completed.



Warning

Articles left in the dryer after the drying and cooling cycles have been completed can create a fire hazard.

For safety, proper operation, and optimum performance, the dryer should not be operated with a load less than 66% of its rated capacity.



Warning

You must disconnect and lockout the electric supply and the gas supply before any covers or guards are removed from the machine to allow access for cleaning, adjusting, installation, or testing of any equipment per OSHA standards.



Important

The dryer must be installed in a location/ environment, which the ambient temperature remains between 40° F (4.44° C) and 130° F (54.44° C).

The operation of this appliance may affect the operation of other types of gas appliances, which take their air for safe combustion from the same room. If in doubt, consult the appliance manufacturer(s).

Use this dryer only for its intended purpose, drying fabrics.

The "Cool Down" Cycle of tumble dryers should be used to reduce the temperature of the items. They should not be removed from the tumble dryer or piled or stacked while hot.

Fabric softeners or similar products should not be used in a tumble dryer to eliminate the effects of static electricity, unless this practice is specifically recommended by the manufacturer of the fabric softener or product.

Specifications

MAXIMUM CAPACITY (DRY WEIGHT) PER POCKET		30 lb	13.61 kg
TUMBLER DIAMETER		30"	76.20 cm
TUMBLER DEPTH		27"	68.58 cm
TUMBLER VOLUME PER POCKET		11.04 cu ft	312.62 L
TUMBLER/DRIVE MOTOR PER POCKET		1/4 hp	0.18 kW
BLOWER/FAN MOTOR PER POCKET		1/2 hp	0.37 kW
DOOR OPENING (DIAMETER)		19-3/8"	49.23 cm
DOOR SILL HEIGHT TOP POCKET / BOTTOM POCKET		54-11/16" / 14-7/8"	138.91 cm / 37.78 cm
WATER CONNECTION		N / A	
DRYERS PER 20'/40' CONTAINER		12 / 28	
DRYERS PER 48'/53' TRUCK		34 / 38	
Gas	VOLTAGE AVAILABLE	120v 1 ϕ 2w 60 Hz	
	APPROXIMATE NET WEIGHT	550 lb	249.48 kg
	APPROXIMATE SHIPPING WEIGHT	580 lb	263.08 kg
	AIRFLOW PER POCKET	360 cfm	10.19 cmm
	HEAT INPUT PER POCKET	55,000 Btu/hr	13,860 kcal/hr
	EXHAUST CONNECTION (DIAMETER) PER POCKET	6"	15.24 cm
	COMPRESSED AIR CONNECTION	N / A	
	COMPRESSED AIR VOLUME	N / A	
	INLET PIPE CONNECTION PER POCKET	1/2" M.N.P.T.	
		3/8" M.B.S.P.T. (CE ONLY)	

Shaded areas are stated in metric equivalents

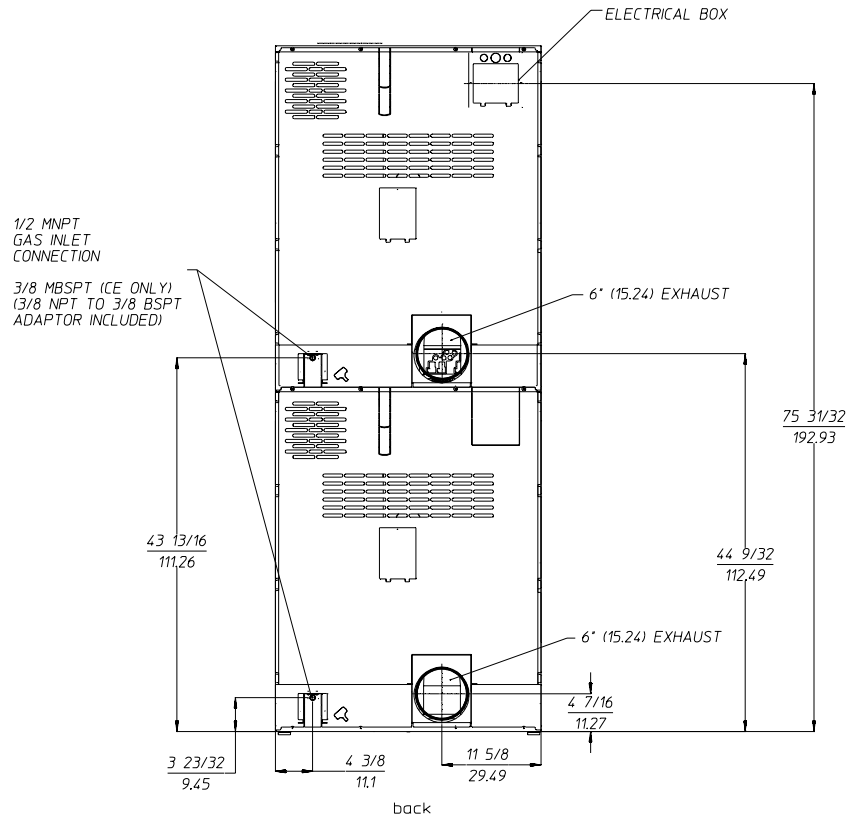
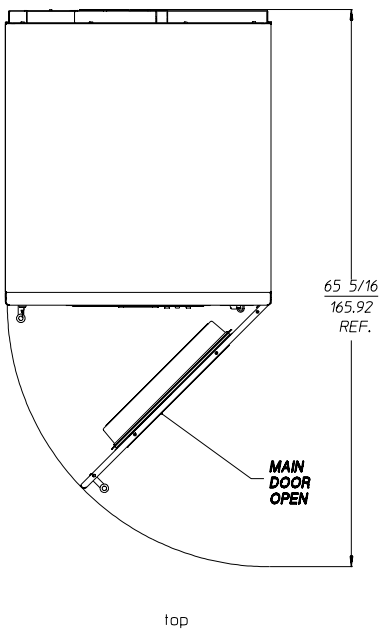
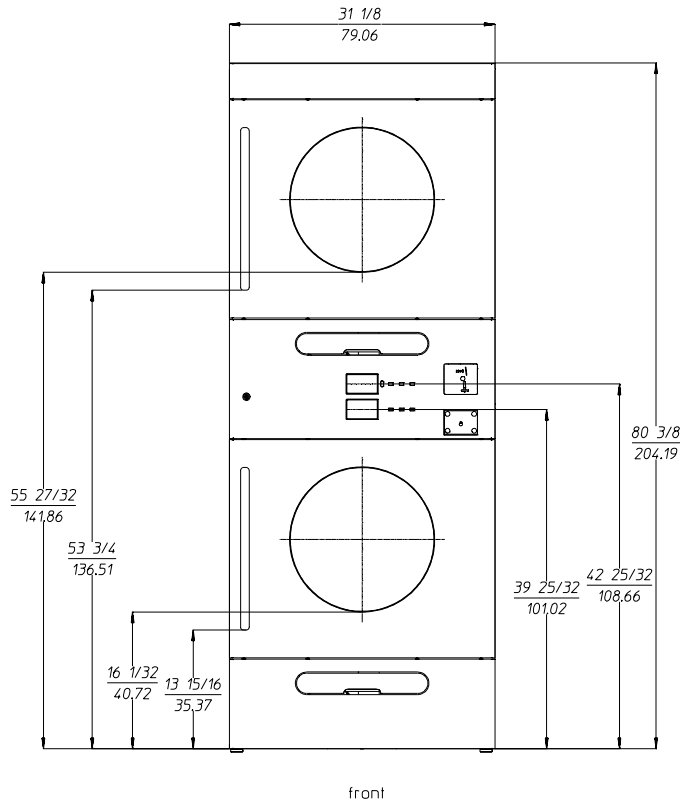
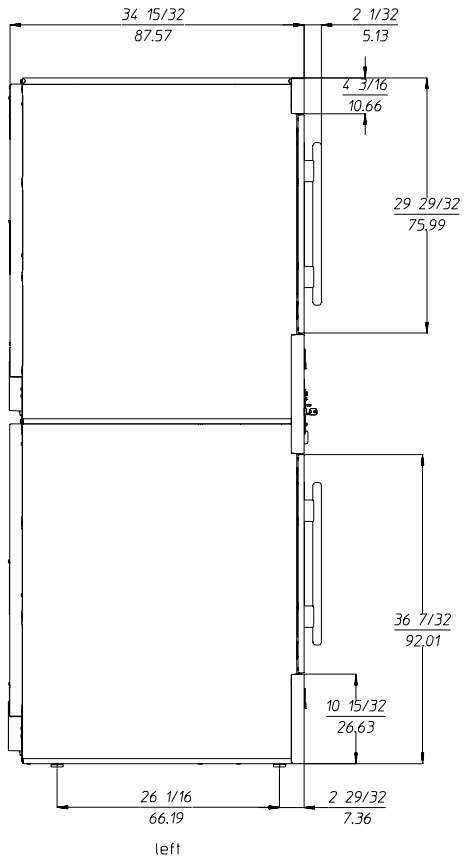
4/18/05



Note

The manufacturer reserves the right to make changes in specifications at any time without notice or obligation.

Specifications



5/16/07

Installation Procedures

Installation should be performed by competent professional in accordance with local, state, and country codes. In the absence of these codes, the installation must conform to applicable American National Standards: ANSI Z223.1-LATEST EDITION (National Fuel Gas Code) or ANSI/NFPA NO. 70-LATEST EDITION (National Electrical Code) or in Canada, the installation must conform to applicable Canadian Standards: CAN/CGA-B149.1-M91 (Natural Gas) or CAN/CGA-B149.2-M91 (L.P. Gas) or LATEST EDITION (for General Installation and Gas Plumbing) or Canadian Electrical Codes Parts 1 & 2 CSA C22.1-1990 or LATEST EDITION (for Electrical Connections).

Location Requirements

Before installing the dryer, be sure the location conforms to local codes and ordinances. In the absence of such codes or ordinances the location must conform with the National Fuel Gas Code ANSI.Z223.1 LATEST EDITION, or in Canada, the installation must conform to applicable Canadian Standards: CAN/CGA-B149.1-M91 (Natural Gas) or CAN/CGA-B149.2-M91 (L.P. Gas) or LATEST EDITION (for General Installation and Gas Plumbing).

The dryer must be installed on a sound level floor capable of supporting its weight. Carpeting must be removed from the floor area that the dryer is to rest on.

The dryer must not be installed or stored in an area where it will be exposed to water and/or weather.

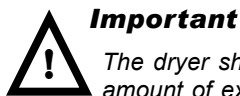
Provisions for adequate air supply must be provided as noted in this manual (refer to Fresh Air Supply Requirements section).

Clearance provisions must be made from combustible construction as noted in this manual (refer to Dryer Enclosure Requirements section).

Provisions must be made for adequate clearances for servicing and for operation as noted in this manual (refer to Dryer Enclosure Requirements section).

The dryer must be installed with a proper exhaust duct connection to the outside as noted in this manual (refer to Exhaust Requirements section).

The dryer must be located in an area where correct exhaust venting can be achieved as noted in this manual (refer to Exhaust Requirements section).



Important

The dryer should be located where a minimum amount of exhaust ducting will be necessary.

The dryer must be installed with adequate clearance for air openings into the combustion chamber.



Caution

This dryer produces combustible lint and must be exhausted to the outdoors. Every 6 months, inspect the exhaust ducting and remove any lint buildup.



Important

The dryer must be installed in a location/ environment, which the ambient temperature remains between 40° F (4.44° C) and 130° F (54.44° C).

Unpacking/Setting Up

Remove protective shipping material (i.e., plastic wrap and optional shipping box) from the dryer.

Think safety when transporting and handling this dryer.

When handling this dryer during uncrating and/or installation, keep in mind its weight and center of gravity. Use of an appliance hand truck with auxiliary wheel set is recommended. Use proper lifting techniques to avoid injury. When in doubt, use help in handling heavy appliances.



Important

Dryer must be transported and handled in an upright position at all times.

The dryer can be moved to its final location while still attached to the skid or with the skid removed. To remove the skid from the dryer, locate and remove the two bolts securing the base of the dryer to the wooden skid. One is located at the center rear and the other is at the center front.

With the skid removed, use caution and assure all four leveling legs are fully retracted if the dryer is to be slid into its final position.

Leveling Dryer

The dryer is equipped with four leveling legs, one at each corner of the base. For optimum performance the dryer should be level front-to-back and side-to-side.

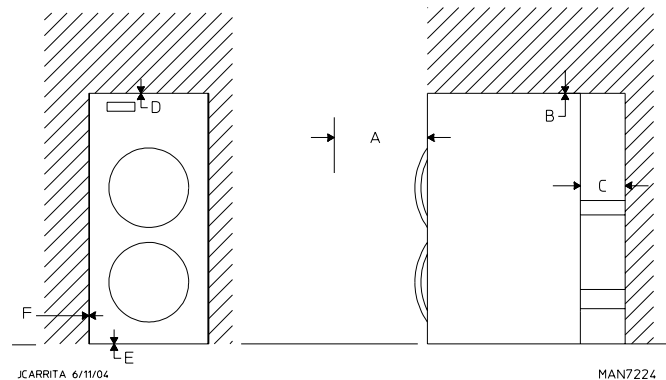
Dryer Enclosure Requirements

Bulkheads and partitions should be made of noncombustible material.



Note

Allowances must be made for opening the control door.



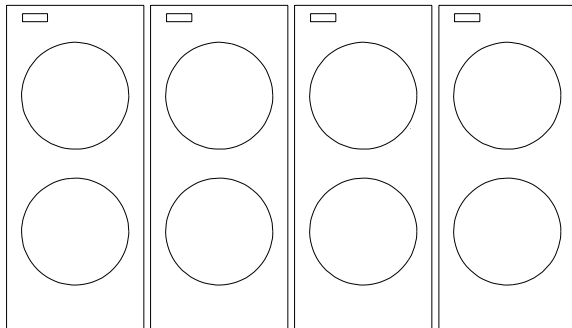
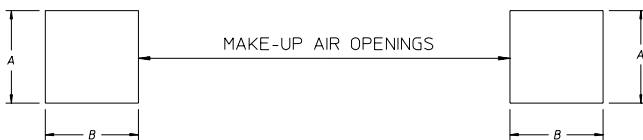
- A The requirement to allow the door to open completely is 33-inches (83.8 cm).
- B A minimum overhead clearance of 6-inches (15.24 cm) is required.
- C Dryer should be positioned a minimum of 12-inches (30.48 cm) away from the nearest obstruction. 24-inches (60.96 cm) is recommended for ease of installation, maintenance, and service.
- D 1/16" (1.5875 mm) minimum is required.
- E Flooring should be level or below dryer cabinet for ease of removing panels during maintenance.
- F Dryers may be positioned sidewall to sidewall, however a 1/16" (1.5875 mm) minimum allowance must be made for the opening and closing of the control door, along with the removal of panels during maintenance.

Fresh Air Supply Requirements

When the dryer is operating, it draws in room air, heats it, passes this air through the tumbler, and exhausts it out of the building. Therefore, the room air must be continually replenished from the outdoors. If the make-up air is inadequate, drying time and drying efficiency will be adversely affected. Ignition problems and sail switch “fluttering” problems may result, as well as premature motor failure from overheating. The dryer must be installed with provisions for adequate combustion and make-up air supply.

Air supply (make-up air) must be given careful consideration to ensure proper performance of each dryer. As a general rule, an unrestricted air entrance from the outdoors of 110 inch² (710 cm²) is required for each dryer. (Based on 1 inch² [6.5 cm²] per 1,000 Btu [252 kcal].)

It is not necessary to have a separate make-up air opening for each dryer. Common make-up air openings are acceptable. However, they must be set up in such a manner that the make-up air is distributed equally to all the dryers.



MAN7225

JARRITA 6/11/04


A = 14-inches (35.56 cm)


B = 16-inches (40.64 cm)

EXAMPLE: For a bank of 4 dryers, 2 unrestricted openings measuring 14-inches by 16-inches (35.56 cm by 40.64 cm) are acceptable.

To compensate for the use of registers or louvers used over the openings, this area must be increased by approximately 33%. Make-up air openings should not be located in an area directly near where exhaust vents exit the building.


Allowances must be made for remote or constricting passageways or where dryers are located at high altitudes or predominantly low pressure areas.

Important
 Make-up air must be free of dry cleaning solvent fumes. Make-up air that is contaminated by dry cleaning solvent fumes will result in irreparable damage to the motors and other dryer components.

Note
 Component failure due to dry cleaning solvent fumes will void the warranty.


Exhaust Requirements

Exhaust ductwork should be designed and installed by a qualified professional. Improperly sized ductwork will create excessive back pressure, which results in slow drying, increased use of energy, and shutdown of the burner by the airflow (sail) switch, burner hi-limits, or lint chamber hi-limit protector thermostat. The dryer must be installed with a proper exhaust duct connection to the outside.


Caution
 This dryer produces combustible lint and must be exhausted to the outdoors.

Improperly sized or installed exhaust ductwork can create a potential fire hazard.

The ductwork should be laid out in such a way that the ductwork travels as directly as possible to the outdoors with as few turns as possible. There should be a minimum 6-inch (15.24 cm) clearance between the back guard and the first bend in the ductwork for ease of servicing. Single or independent dryer venting is recommended. It is suggested that the use of 90° turns be avoided; use 30° and/or 45° bends instead. The radius of the elbows should preferably be 1-1/2 times the diameter of the duct. All ductwork should be smooth inside with no projections from sheet metal screws or other obstructions, which will collect lint. When adding ducts, overlap the duct being connected. All ductwork joints must be taped to prevent moisture and lint from escaping into the building. Back draft dampers must be installed in all commonly ducted systems. Inspection doors should be installed at strategic points in the exhaust ductwork for periodic inspection and cleaning of lint from the ductwork.

Important
 It is recommended that exhaust or booster fans not be used in the exhaust ductwork system.

Exhaust back pressure measured by a manometer/magnehelic in the exhaust duct must be no less than 0 and must not exceed 0.6 in WC (1.48 mb).


Note
 When the exhaust ductwork passes through a wall, ceiling, or roof made of combustible materials, the opening must be 2-inches (5.08 cm) larger than the duct (all the way around). The duct must be centered within this opening.

As per the National Fuel Gas Code, “Exhaust ducts for type 2 clothes dryers shall be constructed of sheet metal or other noncombustible material. Such ducts shall be equivalent in strength and corrosion resistance to ducts made of galvanized sheet steel not less than 26 gauge (0.0195-inches [0.50 mm] thick).”


The ductwork for this appliance must be suitable for the appliance category in accordance with national installation regulations of the country of destination.

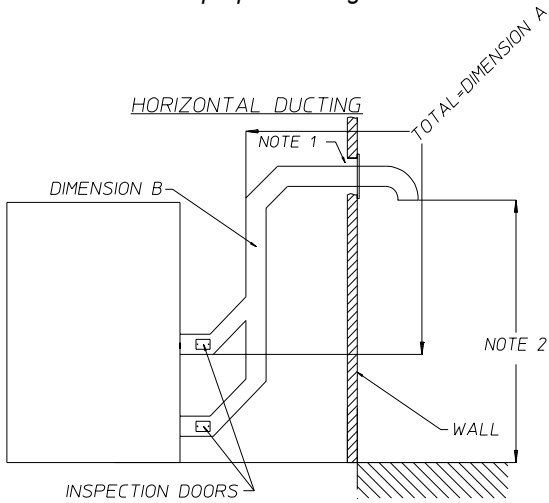
Outside Ductwork Protection

To protect the outside end of the horizontal ductwork from the weather, a 90° elbow bent downward should be installed where the exhaust exits the building. If the ductwork travels vertically up through the roof, it should be protected from the weather by using a 180° turn to point the opening downward. In either case, allow at least twice the diameter of the duct between the duct opening and the nearest obstruction (refer to the diagram).

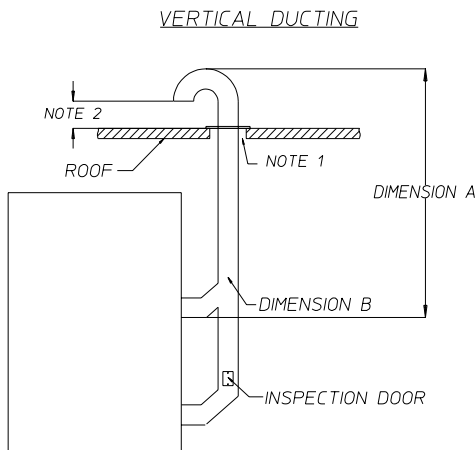
Important
 Do not use screens, louvers, or caps on the outside opening of the exhaust ductwork.

Single Dryer Venting

Important
 For extended ductwork runs, the cross-sectional area of the ductwork can only be increased to an extent. When the ductwork approaches the maximum limits as noted in this manual, a professional HVAC firm should be consulted for proper venting information.



A = 12 feet (3.66 meters) B = 8-inches (20.32 cm)




MAN7223.A

NOTE 1 Opening from combustible materials must be 2-inches (5.08 cm) larger than the duct (all the way around). The duct must be centered within this opening.
NOTE 2 Distance should be 2 times the diameter of the duct to the nearest obstruction.

The length of the ductwork from the dryer to the outside exhaust outlet, must not exceed 12 feet (3.66 meters). **The minimum diameter of this ductwork must be at least 8-inches (20.32 cm) even though the dryer exhaust duct connection is smaller.** Including tumbler/dryer elbow connections or elbows used for outside protection from the weather, no more than four 90° elbows should be used in the exhaust duct run. If more than the equivalent of four 90° elbows are used, the cross-sectional area of the ductwork must be increased.

Multiple Dryer (Common) Venting

Important
 For extended ductwork runs, the cross-sectional area of the ductwork can only be increased to an extent. When the ductwork approaches the maximum limits as noted in this manual, a professional HVAC firm should be consulted for proper venting information.

If it is not feasible to provide separate exhaust ducts for each dryer, ducts from individual dryers may be channeled into a “common main duct.” The individual ducts should enter the bottom or side of the main duct at an angle not more than 45° in the direction of airflow. The main duct should be tapered, with the diameter increasing before each individual duct is added. The minimum diameter of the individual ductwork must be at least 8-inches (20.32 cm).

NOTES _____



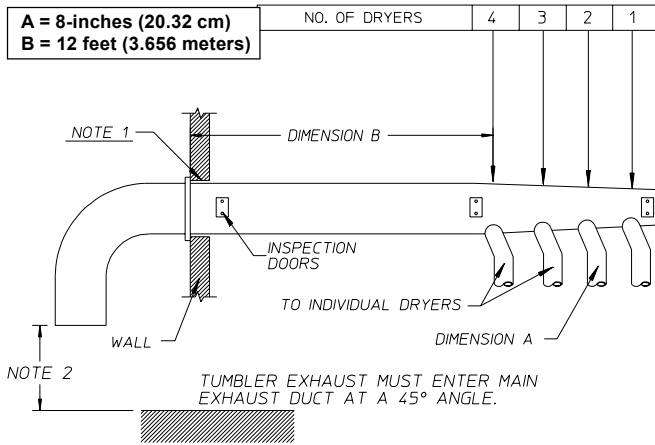
Important

No more than 4 dryers should be connected to 1 main common duct.

The illustration below shows the minimum cross-sectional area for multiple dryer round or square venting. These figures must be increased if the main duct run from the last dryer to where it exhausts to the outdoors is longer than 12 feet (3.656 meters) or has more than 1 elbow in it.

Multiple Dryer Venting with 8-Inch (20.32 cm) Diameter
720 cfm (20.39 cmm) Exhaust Connections at Common Duct

NUMBER OF DRYERS		4	3	2	1
MINIMUM CROSS-SECTIONAL AREA	SQ IN	164	120	80	54
	SQ CM	1058	774.2	516.1	348.4
MINIMUM ROUND DUCT DIAMETER	IN	14	12	10	8
	CM	35.56	30.48	25.4	20.32



JCARRITA 04/21/04

MAN7212

NOTE 1 Opening from combustible materials must be 2-inches (5.08 cm) larger than the duct (all the way around). The duct must be centered within this opening.

NOTE 2 Distance should be 2 times the diameter of the duct to the nearest obstruction.

Electrical Information

Electrical Requirements

All electrical connections must be made by a properly licensed and competent electrician. This is to ensure that the electrical installation is adequate and conforms to local, state, and national regulations or codes of the country of origin. In the absence of such codes, all electrical connections, materials, and workmanship must conform to the applicable requirements of the National Electrical Code ANSI/NFPA NO. 70-LATEST EDITION or in Canada, the Canadian Electrical Codes Parts 1 & 2 CSA C22.1-1990 or LATEST EDITION.



Important

Failure to comply with these codes or ordinances, and/or the requirements stipulated in this manual can result in personal injury or component failure.



Note

Component failure due to improper installation will void the warranty.

Each pocket should be connected to an independently protected branch circuit. The dryer must be connected with copper wire only. Do not use aluminum wire, which could cause a fire hazard. The copper conductor wire/cable must be of proper ampacity and insulation in accordance with electric codes for making all service connections.



Note

The use of aluminum wire will void the warranty.

An individual ground circuit must be provided to each pocket, do not daisy chain.

Component failure due to improper voltage application will void the warranty.

The manufacturer reserves the right to make changes in specifications at any time without notice or obligation.



Important

A separate protected circuit must be provided to each pocket.

The dryer must be connected to the electric supply shown on the data label. In the case of 208 VAC or 240 VAC, the supply voltage must match the electric service specifications of the data label exactly.

The wire size must be properly sized to handle the related current.



Warning

208 VAC and 240 VAC are not the same. Any damage done to dryer components due to improper voltage connections will automatically void the warranty.



Warning (Gas Models Only - Export)

Dryers built for use with a voltage between 200 and 240 must verify the input voltage during installation. If the nominal voltage is outside of the medium tolerances shown on the diagram below, adjust the autotransformers, located near the burner assemblies. To adjust the autotransformer wiring, place the red wire on the appropriate tap (HIGH, MED, LOW) of the autotransformer. For additional wiring details, refer to the electrical diagram located on the inside of the control panel.

TERM	LINE VOLTAGE	
	50 Hz	60 Hz
HIGH	260	283
	226	249
MED	239	260
	208	230
LOW	217	236
	189	208

Electrical Service Specifications Gas Models Only

Gas					
ELECTRICAL SERVICE SPECIFICATIONS (PER POCKET)					
NOTES: A. When fuses are used they must be dual element, time delay, current limiting, class RK1 or RK5 ONLY. Calculate/determine correct fuse value, by applying either local and/or National Electrical Codes to listed appliance amp draw data. B. Circuit breakers are thermal-magnetic (industrial) motor curve type ONLY. For others, calculate/verify correct breaker size according to appliance amp draw rating and type of breaker used.					
SERVICE VOLTAGE	PHASE	WIRE SERVICE	APPROX. AMP DRAW		CIRCUIT BREAKER
			60 Hz	50 Hz	
120	1 ϕ	2	10.3	—	15

1/15/09

Grounding

A ground (earth) connection must be provided and installed in accordance with local, state, and national regulations or codes of the country of origin. In the absence of these codes, grounding must conform to applicable requirements of the National Electrical Code ANSI/NFPA NO. 70-LATEST EDITION, or in Canada, the installation must conform to applicable Canada Standards: Canadian Electrical Codes Parts 1 & 2 CSA C22.1-1990 or LATEST EDITION. The ground connection may be to a proven earth ground at the location service panel.

For added personal safety, when possible, it is suggested that a separate ground wire (size per local codes) be connected from the ground connection of the dryer to a grounded cold water pipe. Do not ground to a gas pipe or hot water pipe. The grounded cold water pipe must have metal-to-metal connection all the way to the electrical ground. If there are any nonmetallic interruptions, such as, a meter, pump, plastic, rubber, or other insulating connectors, they must be jumped out with a wire (size per local codes) and securely clamped to bare metal at both ends.



Important

For personal safety and proper operation, the dryer must be grounded.

Provisions are made for ground connection in each dryer at the electrical service connection area.

Electrical Connections

A wiring diagram is located behind the control panel for connection data.

If local codes permit, power to the dryer can be made by the use of a flexible UL listed power cord/pigtail (wire size must conform to rating of dryer), or the dryer can be hard wired directly to the service breaker panel. In both cases, a strain relief must be installed where the wiring enters the dryer.

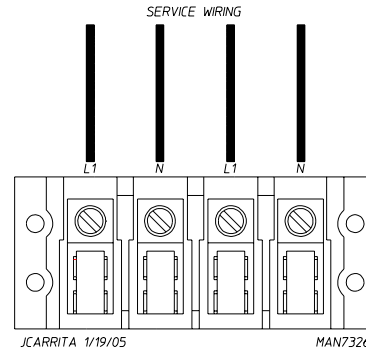
For CE Models Only

The means for disconnection from the supply must be incorporated into wiring having a minimum contact separation of 3.0 mm in all poles.

Single-Phase (1 ϕ) Wiring Connections/Hookup

The electrical input connections are made into the rear service box located at the upper right area of the dryer. The ground connection is made to the copper lug, also provided in this box. To gain access, the service box cover must be removed.

Gas Models 120V Application with Neutral



Gas Information

It is your responsibility to have all plumbing connections, materials, and workmanship conform to local and state regulations or codes of the country of destination. In the absence of such codes, all plumbing connections, materials, and workmanship must conform to the applicable local requirements. In the USA this is the National Fuel Gas Code ANSI Z223.1-LATEST EDITION, or in Canada, the Canadian Installation Codes CAN/CGA-B149.1-M91 (Natural Gas) or CAN/CGAB149.2-M91 (L.P. Gas) or LATEST EDITION.

In Australia, the fuel gas code is AS 5601/AG 601, local authority, gas, electricity, and any other relevant statutory regulations.

It is important that gas pressure regulators meet applicable pressure requirements, and that gas meters be rated for the total amount of all the appliance Btu being supplied.



Important

Failure to comply with these codes or ordinances, and/or the requirements stipulated in this manual, can result in personal injury and improper operation of the dryer.

For ease of service, the individual gas supply line of each dryer must have its own manual shutoff valve.

Failure to isolate or disconnect the dryer from supply as noted can cause irreparable damage to the gas valve, voiding the warranty.

The dryer and its individual shutoff valve must be disconnected from the gas supply piping system during any pressure testing of that system at test pressures in excess of 1/2 psig (3.5 kPa) for non-CE dryers or 50 mb for CE dryers.



Note

The dryer must be isolated from the gas supply piping system by closing its individual manual shutoff valve during any pressure test of the gas supply system at test pressures equal to or less than 1/2 psig (3.5 kPa) for non-CE dryers or 50 mb for CE dryers.

Heat Input/Gas Consumption/Orifice (Injector) Data (For Non-CE [European] Models Only)

Gas Specifications for Non-CE Approved Dryers***								
Gas Type and Nominal Heating Value		Supply Pressure	**Gross Heat Input		Orifice Size		**Orifice (Injector) Quantity	Burner Pressure
	Btu/ft ³	in WC	Btu/hr	kW	DMS	mm		in WC
Natural	1,000	7.0-13.0	55,000	16.12	20	4.089	1	3.0
*Liquid Propane	2,500	11.0	55,000	16.12	44	2.184	1	10.0

Shaded areas are stated in metric equivalents

* Gas valve's internal regulator disabled.

** Information is per pocket/tumbler.

*** Consult factory for elevations over 2,000 feet (610 meters) for correct orifice size.

Heat Input/Gas Consumption/Orifice (Injector) Data (For CE [European] Models Only)

Gas Specifications for CE Approved Dryers***									
Gas Type and Nominal Heating Value		Supply Pressure	**Gross Heat Input		**Fuel Consumption	Orifice Size		**Orifice (Injector) Quantity	Burner Pressure
	Btu/ft ³	mb	Btu/hr	kW		DMS	mm		mb
Natural (I _{2H} /I _{2E})	1,000	15-30	55,000	16.12	1.557 M ³ /H	22	3.988	1	6.9
Natural (I _{2L})	830	20-35	55,000	16.12	1.876 M ³ /H	22	3.988	1	9.5
Natural (I _{2ELL})	830	15-30	55,000	16.12	1.876 M ³ /H	22	3.988	1	9.5
*Natural (I _{2E+})	1,000	20	55,000	16.12	1.557 M ³ /H	31	3.048	1	—
	830	25	55,000	16.12	1.876 M ³ /H	31	3.048	1	—
*Butane (I ₃₊)	3,175	28-30	55,000	16.12	1.162 kg/H	48	1.930	1	—
*Propane (I ₃₊)	2,500	37	55,000	16.12	1.162 kg/H	48	1.930	1	—
Butane (I _{3B/P})	3,175	28-30/50	55,000	16.12	1.162 kg/H	44	2.184	1	18.1
Propane (I _{3P})	2,500	28-30/50	55,000	16.12	1.162 kg/H	44	2.184	1	24.9

Shaded areas are stated in metric equivalents

* Gas valve's internal regulator disabled.

** Information is per pocket/tumbler.


*** Consult factory for elevations over 2,000 feet (610 meters) for correct orifice size.

NOTES _____

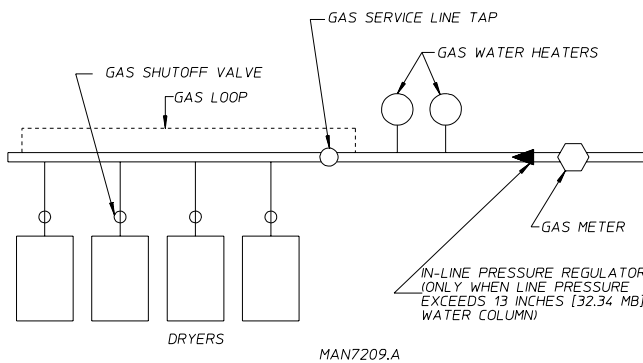
Piping/Connections

The dryer is provided with two 1/2" N.P.T. (3/8" B.S.P.T. for CE dryers) inlet pipe connections (1 for each tumbler) at the rear of the dryer. If a separate feed is provided for each tumbler from the main supply line (header), then a 1/2" (12.7 mm) line connection is sufficient. However, if the top and bottom tumbler connections are connected together, the supply from the header must be increased to 3/4-inch (19.05 mm). There should be a minimum 6-inch (15.24 cm) clearance between the back guard and the first bend in the gas piping for ease of servicing. It is recommended that a gas shutoff valve be provided to the gas supply line of each dryer for ease in servicing.

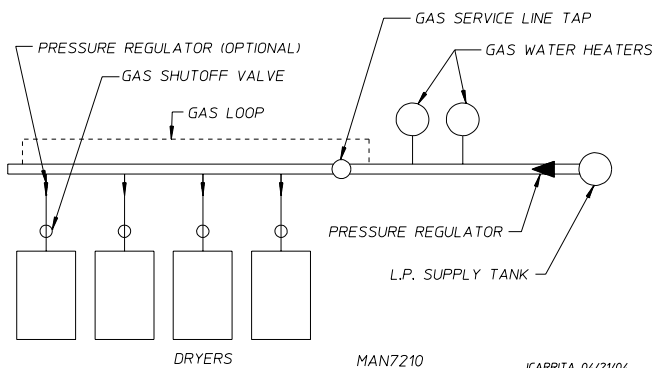
The size of the main gas supply line (header) will vary depending on the distance this line travels from the gas meter or, in the case of L.P. gas, the supply tank, other gas-operated appliances on the same line, etc. Specific information regarding supply line size should be determined by the gas supplier.

Note
 **Undersized gas supply piping can create a low or inconsistent pressure, which will result in erratic operation of the burner ignition system.**

TYPICAL NATURAL GAS INSTALLATION




TYPICAL L.P. GAS INSTALLATION




Consistent gas pressure is essential at all gas connections. It is recommended that a 3/4-inch (19.05 mm) pipe gas loop be installed in the supply line servicing a bank of dryers. An in-line pressure regulator must be installed in the gas supply line (header) if the (natural) gas pressure exceeds 13.0 in WC (32.34 mb) pressure.


A plugged tap, accessible for a pressure gauge connection, must be installed in the main gas supply line immediately upstream of the dryers.


Important
 **Pipe joint compounds that resist the action of natural, L.P., and butane gases must be used.**

Test all connections for leaks by brushing on a soapy water solution (liquid detergent works well).

Warning
 **Never test for leaks with a flame!!!**

Converting from One Family of Gas to Another

Warning (CE Dryers)
 **This appliance must only be operated with the gas type indicated on the dryer's data plate. If the appliance is converted (gas type changed), a data plate amendment must be obtained from Maytag Co. (dryer's serial number is required to purchase a conversion kit).**

Important
 **Any burner changes or conversions must be made by a qualified professional.**

The dryers manufactured for Belgium, Luxemburg, Greece, Estonia, Slovak Republic, Iceland, Malta, Poland and Cyprus cannot be converted from one family of gas to another.

Conversion from Natural Gas to Propane or Butane Gas

The following conversion allows the dryer to be operated with either propane gas or butane gas (regulated or unregulated). The use of gas valve kit (P/N 140414) disables the internal regulator of the gas valve. Therefore, the gas supply is ungoverned and an external regulator must be provided at the source of the supply (example L.P. tank) or the gas supply line to the dryer.

Parts Required for Conversion:


Description	P/N	Qty
Unregulated Gas Conversion Kit***	140414	2*
Burner Orifice (Injector)	**	2*
L.P. Conversion Label	114515	2*

* This includes 1 for each pocket/tumbler.
 ** Refer to page 14 for orifice (injector) size.
 *** Required for unregulated propane or butane only.

Instructions

Disconnect electrical power to the dryer.

Close all shutoff valves (for both top and bottom tumbler) in dryer's gas supply line.

Important
 **The following procedures must be performed on both top and bottom tumblers.**

Open the panels located just below each loading door.

Locate the gas train and disconnect the union, 3 electrical plugs, and the gas train mounting screws from the burner. Carefully slide the gas train out of the gas train enclosure. (The carbon ignitor located at the far end of the gas train is very fragile.)

Remove 2 burner tube mounting screws and remove burner tube in order to gain access to the orifice.

Using a 3/8" wrench or socket, remove the existing orifice and replace it with an orifice from the kit.



Important

Use extreme care when removing and replacing orifice (injector). This orifice (injector) is made of brass, which is easily damaged.

Reinstall the burner tube onto the burner base.

For unregulated gases only, use a flat screwdriver to remove the regulator vent cap and install the blocking pin (P/N 140414) from the kit.

Install the gas train back into the dryer gas train enclosure. Be sure the tab at the rear of the gas train engages into the mounting slot.

Connect the union and the 3 electrical plugs.

Repeat these steps for the other burner.

Affix L.P. Conversion Label (P/N 114515) to the dryer's data label.

Complete L.P. Kit Conversion Confirmation Label (P/N 114083) and affix this label as close as possible to the dryer's existing dryer rating (data) label/plate.

Non-CE Dryers

Affix L.P. Conversion Rating Label Addendum (P/N 114090) as close as possible to the dryer's existing dryer rating (data) label/plate.

CE Dryers

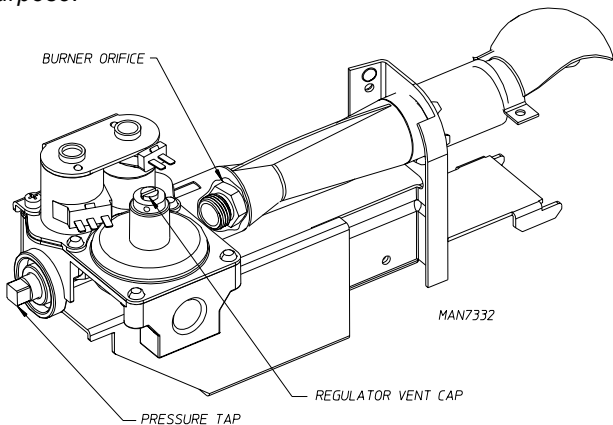
Affix new data plate label that came with the conversion kit.

Open all shutoff valves, reconnect electrical power to the dryer, and test for leaks.



Important

Never test for leaks with an open flame!!! Use a soapy water solution or product intended for that purpose.



Unregulated Gas Valve

Regulate (govern) gas externally (refer to "Supply Pressure" in chart on page 14) to the correct gas pressure for the gas being used. Operate dryer through 1 complete cycle to ensure proper operation.

Regulated Gas Valve

Refer to "Gas Pressure Adjustment" on the following page to adjust the gas valve to the appropriate burner pressure listed on page 14.



Important

Conversions done improperly can result in a fire or explosion!

Conversion from Propane or Butane Gas to Natural Gas

The following conversion allows the dryer to be operated with natural gas. If the dryer is setup for unregulated gas, a slight modification has to be done to the gas valve, to enable the internal regulator.

Parts Required for Conversion:

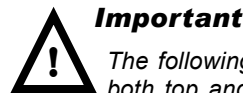
Description	P/N	Qty
Vent Cap	140415	2*
Burner Orifice (Injector)	**	2*

* This includes 1 for each pocket (tumbler).
 ** Refer to page 14 for orifice (injector) size.

Instructions

Disconnect electrical power to the dryer.

Close all shutoff valves (for both top and bottom tumbler) in dryer's gas supply line.



Important

The following procedures must be performed on both top and bottom tumblers.

Open the panels located just below each loading door.

Locate the gas train and disconnect the union, 3 electrical plugs, and the gas train mounting screws from the burner. Carefully slide the gas train out of the gas train enclosure. (The carbon ignitor located at the far end of the gas train is very fragile.)

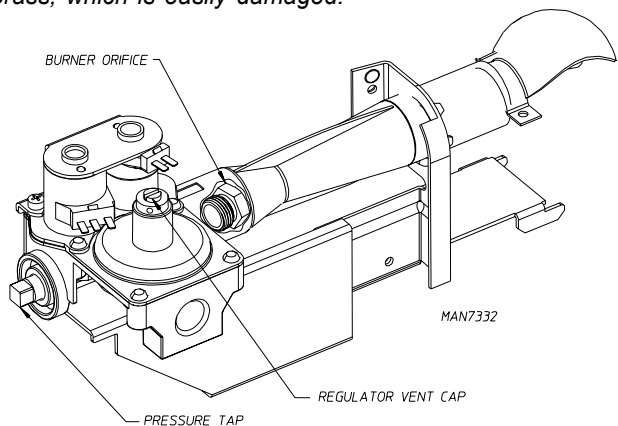
Remove 2 burner tube mounting screws and remove burner tube in order to gain access to the orifice.

Using a 3/8" wrench or socket, remove the existing orifice and replace it with an orifice from the kit.



Important

Use extreme care when removing and replacing orifice (injector). This orifice (injector) is made of brass, which is easily damaged.



Reinstall the burner tube onto the burner base.

If converting from unregulated gas, use a flat screwdriver, remove the cap with blocking pin and install the regulator vent cap from the kit.

Install the gas train back into the dryer gas train enclosure. Be sure the tab at the rear of the gas train engages into the mounting slot.

Connect the union and the 3 electrical plugs.

Repeat these steps for the other burner.

Open all shutoff valves, reconnect electrical power to the dryer, and test for leaks.

Operate the dryer through 1 complete cycle to ensure proper operation.

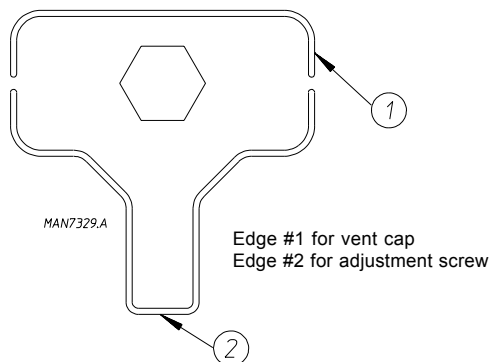
With dryer operating, check the manifold (burner) pressure at the tap on the gas valve to ensure proper operating pressure (refer to chart on page 14).

Gas Pressure Adjustment

Disconnect electrical power to the dryer.

To adjust gas valve's internal regulator, remove the regulator cover screw with the regulator adjustment tool, which is located on the back guard between the gas inlet and exhaust outlet (refer to the illustration below for proper use of adjustment tool). Be sure to use 1 of the wide ends of the adjustment tool for removal of the vent cap. Once vent cap is removed, the narrow end of the adjustment tool can be used to turn the plastic adjustment screw in the valve. Turn the screw clockwise to raise pressure and counterclockwise to lower pressure.

Gas (burner) pressures are measured with the burner in operation for all burner adjustment conditions. Therefore once the necessary adjustments have been made, the dryer must be operated in a heating cycle to verify that the pressure is correct. If it is not correct, you must discontinue the power to the unit and make further adjustments. Repeat these steps as many times as necessary to achieve the correct burner pressure. Once the adjustment of the valve is complete, it must be sealed to prevent maladjustment by the user with, for example, paint.



Warning (CE Dryers)

This appliance must only be operated with the gas type indicated on the dryer's data plate. If the appliance is converted (gas type changed), a data plate amendment must be obtained from Maytag Co.

Conversions done improperly can result in a fire or explosion!

Gas Pressure Testing

For proper operation, the gas pressure must be correct, consistent and maintained at the gas pressure rates shown on page 14. Provisions are made at the gas valve for taking gas pressure readings.

There are 2 types of devices used to measure gas pressure. They are the spring/mechanical type gauge and the manometer. The use of the spring/mechanical type gauge is not recommended because they are very easily damaged and are not always accurate. The preferred type of gauge is the manometer because it is a simple device to use and is highly accurate. A manometer is simply a glass or transparent plastic tube with a scale graduated in inches or mb. When it is filled with water and pressure is applied, the water in the tube rises, showing the exact gas pressure.

Gas Pressure Test Procedure

Turn gas cock in gas supply line to "OFF" position.

CE: Back out miniature screw inside pressure tap and attach manometer (refer to the illustration on page 16).

Non-CE: Install pressure tap and attach manometer (refer to illustration on page 16).

Turn gas cock to "ON" position.

Start the dryer in Heat Mode and wait for ignition. Gas manifold pressure should be as shown on page 14.

If the gas pressure needs to be adjusted, refer to "Gas Pressure Adjustment" on this page.

Once test is complete, turn gas cock to "OFF" position. Remove manometer. Tighten screw inside the pressure tap or install plug.

Turn gas cock to "ON" position and check for leaks with soap solution with main burner "ON."

Preparation for Operation/Start-Up

The following items should be checked before attempting to operate the dryer:

- Read all "CAUTION," "WARNING," and "DIRECTION" labels attached to the dryer.
- Check incoming supply voltage to be sure that it is the same as indicated on the data label. In the case of 208 VAC or 240 VAC, the supply voltage must match the electric service exactly.
- GAS MODELS – Check to ensure that the dryer is connected to the type of heat/gas indicated on the dryer data label.
- GAS MODELS – Be sure that all gas shutoff valves are in the open position.
- Be sure all back panels (guards) and electric box covers are in place.
- Be sure the service doors are closed and securely in place.
- Be sure the lint door/drawer is securely in place.
- Rotate the tumbler (drum) by hand to be sure it moves freely.
- Check bolts, nuts, screws, terminals, and fittings for tightness and security.
- Check that the vent is connected to the dryer and is exhausted to the outdoors.

Preoperational Test

All dryers are thoroughly tested and inspected before leaving the factory. However, a preoperational test should be performed before the dryer is publicly used. It is possible that adjustments have changed in transit or due to marginal location (installation) conditions.

Turn on electric power to the dryer.

Refer to the Operating Instructions for starting your particular model dryer.

Gas Dryers

Open all shutoff valves.

When a gas dryer is first started (during initial start-up), it has a tendency not to ignite on the first ignition attempt. This is because the gas supply piping is filled with air, so it may take a few minutes for the air to be purged from the lines.



Note

During the purging period, check to be sure that all gas shutoff valves are open.

A gas pressure test should be taken at the gas valve pressure tap of each dryer to ensure that the water column pressure is correct and consistent.



Note

Water column pressure requirements (measured at the pressure tap of the gas valve body) must be verified.



Important

In most cases there is no regulator provided in an L.P. dryer. The water column pressure must be regulated at the source (L.P. tank), or an external regulator must be added to each dryer.

Safety Related Circuits

Make a complete operational check of all safety related circuits:

- Door Switch(es)
- Hi-Limit Thermostats
- Sail Switch

Make a complete operational check of all operating controls.

Tumbler Coating

The tumbler is treated with a protective coating. We suggest dampening old garments or cloth material with a solution of water and nonflammable mild detergent and tumbling them in the tumbler to remove this coating.

Microprocessor Programs/Selections

Each microprocessor controller (computer) has been preprogrammed by the factory with the most commonly used parameter (program) selections. If computer program changes are required, refer to the computer programming manual which was shipped with the dryer.

Preoperational Instructions



Important

For more detailed information regarding the microprocessor controller (computer), refer to the microprocessor user's manual included with the dryer.

Coin Models

Microprocessor Controller (Computer)

When the microprocessor controller (computer) is in the ready state, the L.C.D. screen will display "To Start Insert \$XX.XX".

Insert coin(s). Once the correct "Amount to Start" has been inserted, the L.C.D. will display "Select Cycle".

Select temperature by pressing WHITES / COLORS, PERM PRESS, OR DELICATES. The cycle will start and the L.C.D. will display the Dry Cycle selected and the remaining time.

The dryer will continue through the drying and cooling cycles, until the vended time has expired.



Note

To stop the dryer, open main door. Continuation of the cycle will resume only after the door has been closed and any one of the 3 temperature selections is pressed.

Shutdown Instructions

If the dryer is to be shutdown (taken out of service) for a period of time, the following must be performed:

Discontinue power to the dryer either at the external disconnect switch or the circuit breaker.

Discontinue the heat supply:

Gas Models – Discontinue the gas supply.

Shut off external gas supply shutoff valve.

Shut off internal gas supply shutoff valve located in the gas valve burner area.

Service/Parts Information

Service

Service must be performed by a qualified trained technician, service agency, or gas supplier. If service is required, contact the Maytag distributor from whom the equipment was purchased. If the distributor cannot be contacted or is unknown, contact the Maytag Co. for a distributor in your area.



Note

When contacting the Maytag Co., be sure to give them the correct model number and serial number so that your inquiry is handled in an expeditious manner.

Parts

Replacement parts should be purchased from the distributor from whom the Maytag equipment was purchased. If the distributor cannot be contacted or is unknown, contact the Maytag Co. for a distributor in your area.

**Note**

When ordering replacement parts from the Maytag distributor or the Maytag Co. be sure to give them the correct model number and serial number so that your parts order can be processed in an expeditious manner.

Warranty Information _____**Warranty**

For a copy of the manufacturer's commercial warranty covering your particular dryer(s), contact the Maytag distributor from whom you purchased the equipment and request a dryer warranty form. If the distributor cannot be contacted or is unknown, warranty information can be obtained from the Maytag Co.

**Note**

Whenever contacting the Maytag Co. for warranty information, be sure to have the dryer's model number and serial number available so that your inquiry can be handled in an expeditious manner.

Routine Maintenance _____**Cleaning**

A program and/or schedule should be established for periodic inspection, cleaning, and removal of lint from various areas of the dryer, as well as throughout the ductwork system. The frequency of cleaning can best be determined from experience at each location. Maximum operating efficiency is dependent upon proper airflow. The accumulation of lint can restrict this airflow. If the guidelines in this section are met, the dryer will provide many years of efficient, trouble free, and most importantly, safe operation.

**Warning**

Lint from most fabrics is highly combustible. The accumulation of lint can create a potential fire hazard. Keep dryer area clear and free from combustible materials, gasoline, and other flammable vapors and liquids.

**Note**

Suggested time intervals shown are for average usage which is considered 6 to 8 operational (running) hours per day.

**Important**

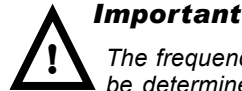
Dryer produces combustible lint and must be exhausted to the outdoors. Every 6 months, inspect the exhaust ducting and remove any lint buildup.

Suggested Cleaning Schedule**Every Load**

Clean the lint screen every load. A clogged lint screen will cause poor dryer performance. The lint door/drawer is located just below the loading door of the dryer. Open the lint door/drawer, brush the lint off the lint screen, and remove the lint. Inspect lint screen and replace if torn.

**Note**

To remove the lint drawer from the dryer, pull drawer out approximately halfway. Next remove the two retainer clips located on the sides of the lint drawer.

**Important**

The frequency of cleaning the lint screen can best be determined from experience at each location.

Weekly

Clean lint accumulation from lint chamber, thermostat, and microprocessor temperature sensor area.

**Warning**

To avoid the hazard of electrical shock, discontinue electrical supply to the dryer.

90 Days

Remove lint from gas valve burner area with a dusting brush or vacuum cleaner attachment.

Clean any lint accumulation in and around the motor(s) casing opening.

**Note**

To prevent damage, avoid cleaning and/or touching ignitor/flame-probe assembly.

Every 6 Months

Inspect and remove lint accumulation in customer furnished exhaust ductwork system and from dryer's internal exhaust ducting.

**Note**

The accumulation of lint in the exhaust ductwork can create a potential fire hazard.

Do not obstruct the flow of combustion and ventilation air. Check back draft dampers in the exhaust ductwork. Inspect and remove any lint accumulation, which can cause the damper to bind or stick.

A back draft damper that is sticking partially closed can result in slow drying and shutdown of heat circuit safety switches or thermostats.

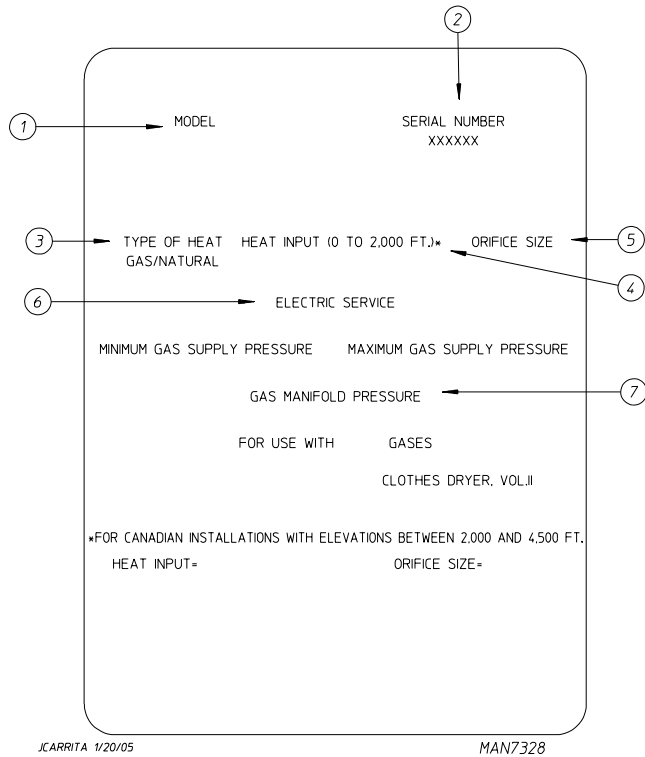
When cleaning the dryer cabinet(s), avoid using harsh abrasives. A product intended for the cleaning of appliances is recommended.

Adjustments**7 Days After Installation and Every 12 Months Thereafter**

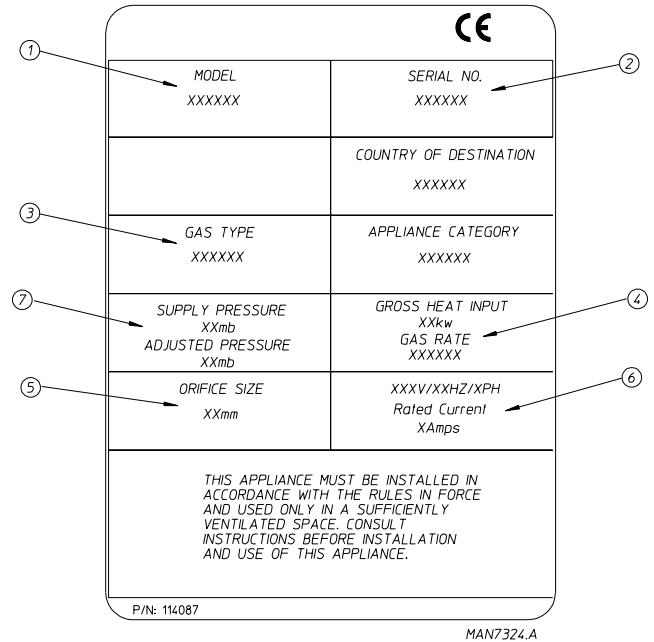
Inspect bolts, nuts, screws, setscrews, grounding connections and nonpermanent gas connections (unions, shutoff valves, and orifices). Belts should be examined. Cracked or seriously frayed belts should be replaced. Complete an operational check of controls and valves. Complete an operational check of all safety devices (lint door/drawer switch, door switches, sail switch, and hi-limit thermostats).

Data Label Information

Standard Label



CE Label



When contacting Maytag, the information on the data label is required to ensure proper service/parts assistance. The data label is located at the upper left rear of the dryer behind the back guard.

1. **Model Number** – This describes the style of dryer and type of heat (gas, electric, or steam).
2. **Serial Number** – Allows the manufacturer to gather information on your particular dryer.
3. **Type of Heat** – This describes the type of heat for your particular dryer, gas (either natural gas or L.P. gas), electric, or steam.
4. **Heat Input** (For Gas Dryers) – This describes the heat input in British thermal units per hour (Btu/hr) or kilowatts (kW).
5. **Orifice Size** (For Gas Dryers) – Gives the number drill size used.
6. **Electric Service** – This describes the voltage and current rating for a particular model.
7. **Gas Manifold Pressure** (For Gas Dryers) – This describes the manifold pressure taken at the gas valve tap.

